

MARINA MARBELLA, S.A.

**EMBARCACIONES DE RECREO
DECLARACIÓN DE CONFORMIDAD
Directiva 94/25/CE**

• **Nombre del Constructor :** SEA RAY BOATS, INCORPORATED
Dirección : 2600 Sea Ray Boulevard
Ciudad : Knoxville
Código Postal : TN 37914
Pais : USA

• **Nombre del Responsable :** MARINA MARBELLA, S.A.
Dirección : Edificio Marina Marbella, Pto. Pesquero
Código Postal : 29600
Ciudad : Marbella (Málaga)
Pais : España
Nº de C.I.F.: A-29071693

D. Lars Olov Sundberg . Administrador. Certifica que la embarcación descrita a continuación está construida de acuerdo con las Normas Armonizadas, Normas Directivas RSG, o cualquier otro método usado para demostrar la conformidad con la Directiva de la UE 94/25/CE, tal como se detalla en la ficha técnica.

En caso de intervención de un organismo autorizado :

Nombre : International Marine Certification Institute
Dirección : Treves Centre, Rue de Treves 45 Fecha : 21.06.01
B-1040 Bruxelles
Bélgica

Referencia de la certificación de examen "CE de Tipo": BSER088 Modulo Tipo: B+C

• **Características de la embarcación :**

Tipo de casco : Power IB **Nº H.I.N :** US-SERR2777L102
Nombre de la serie : SR182BR-01572
Marca: Sea Ray **Modelo :** 182BR
Material : PRFV
Eslora : 5,64 mt **Manga :** 2,29
Motores : Uno 1 (Ud)
Marca : Mercruiser **Modelo :** 4.3 L
Número : OM 329466
Potencia máxima autorizada : 142 Kw **Potencia instalada :** 142 Kw

Categoría de Navegación :

- A** -Oceánica
B -En alta mar
C -En aguas costeras
D -En aguas protegidas

Número de personas aconsejado :

MARINA MARBELLA, S.A.
C.I.F.: A-29.071.693

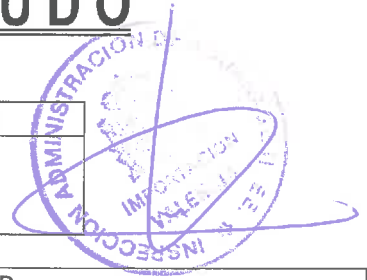
7

Fecha : 27.05.03

Firma : _____

CERTIFICADO DE ADEUDO

ADUANA EXPEDIDORA	NUMERO	AÑO
Valencia	93 / 2002	



DOCUMENTO DE DESPACHO	IMPORTADOR
4611-2-325436	Marina Marbella, SA NIF A29071693

AGENTE DE ADUANAS	PLAZO DE VALIDEZ DEL CERTIFICADO
Matías García Aldabó	TRES MESES a partir de la fecha factura de venta

ENTIDAD DONDE DEBE SURTIR EFECTO: COMANDANCIA DE MARINA

CARACTERISTICAS DE LA IMPORTACION

CLASE	MARCA	MODELO	POTENCIA H.P.	CILINDROS
Embarcacion inferior a 7'5 metros	SEA RAY	182 BR		

NUMERO DEL MOTOR (en cifras y en letras)
OM 329466 (O-M-TRES-DOS-NUEVE-CUATRO-SEIS-SEIS.)

NUMERO DEL BASTIDOR O CHASIS (en cifras y en letras)
2002-182-BR-1572 (DOS-CERO-CERO-DOS-UNO-OCHO-DOS-B-R-UNO-CINCO-SIETE-DOS.)

PARTIDA ARANCELARIA	AUTORIZACION DE IMPORTACIÓN
8903929100	

OBSERVACIONES

DILIGENCIA CERTIFICATORIA

DON **ENRIQUE ESPINOSA FREIRE**

Jefe del Negociado de Importación de la Aduana arriba indicada.

CERTIFICO: Que los anteriores antecedentes son conformes con el documento de despacho que se cita, y para que conste como justificante de su legal importación, se expide el presente certificado en Valencia, a *25 abril 2002*

BUILDER'S CERTIFICATION AND FIRST TRANSFER OF TITLE

I. PHASE OF CONSTRUCTION COVERED BY THIS CERTIFICATE

- ENTIRE CONSTRUCTION
 HULL ONLY
 COMPLETION ONLY (HULL BUILT BY ANOTHER)

YEAR PHASE OF CONSTRUCTION _____
 YEAR COMPLETED 2002

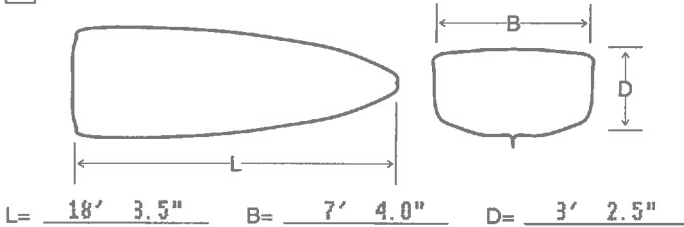
II. VESSEL DATA

- A. HULL IDENTIFICATION NUMBER
OR HULL NUMBER SERR2777L102-182BR-01572
- B. VESSEL NAME (IF KNOWN)

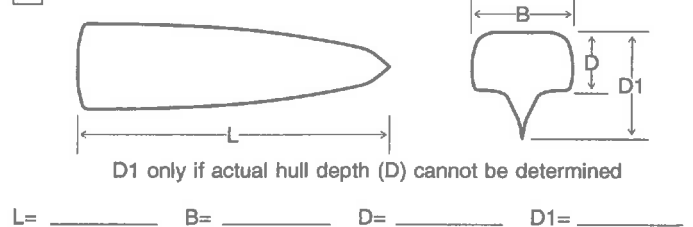
- C. EQUIPPED WITH ENGINE?
 YES NO OUTBOARD YES NO
- D. PLACE OF BUILD (CITY, STATE, COUNTRY)
Knoxville, Tennessee USA
- E. HULL MATERIAL: WOOD ALUMINUM STEEL CONCRETE FIBROUS REINFORCED PLASTIC OTHER

III. DIMENSIONS (COMPLETE APPROPRIATE DIAGRAM)

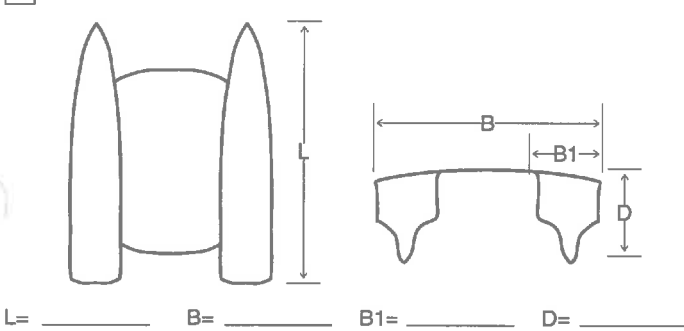
SHIP-SHAPE HULL



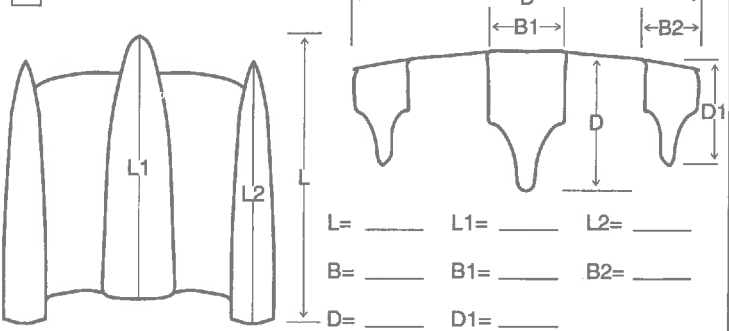
SAILBOAT



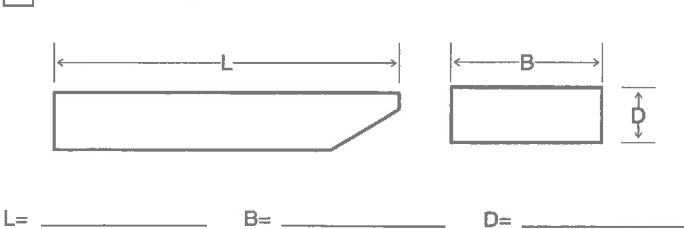
CATAMARAN



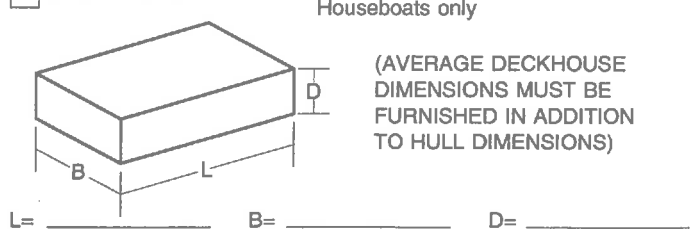
TRIMARAN



BARGE-SHAPED HULL



DECKHOUSE



IV. UNITED STATES BUILD STATEMENT

- ALL MAJOR COMPONENTS USED IN THE PHASE OF CONSTRUCTION COVERED BY THIS CERTIFICATE WERE FABRICATED IN THE UNITED STATES.
- ALL CONSTRUCTION AND ALL ASSEMBLY FOR THIS PHASE OF CONSTRUCTION WERE DONE IN THE UNITED STATES.

V. NAME(S) AND ADDRESS(ES) OR PARTY(IES) FOR WHOM BUILT
SERR2777L102-182BR-01572 Marina Harbella Sweden AB (DEALER NUMBER) 887

Frances House,
Sir William Place
St. Peter Port Guernsey
Channel Islands, XX

IF BUILT FOR MORE THAN ONE PERSON, THE PERSONS NAMES ABOVE ARE TENANTS IN COMMON, EACH OWNING AN EQUAL UNDIVIDED INTEREST, UNLESS OTHERWISE INDICATED HEREIN: CHECK ONLY ONE OF THE FOLLOWING BLOCKS TO SHOW ANOTHER FORM OF OWNERSHIP.

- JOINT TENANCY WITH RIGHT OF SURVIVORSHIP TENANCY BY THE ENTIRETIES COMMUNITY PROPERTY
 OTHER (DESCRIBE)

VI. CERTIFICATION

I, Donna Trexler DO HEREBY CERTIFY THAT THE FACTS RECITED HEREIN ARE TRUE AND THAT I HAVE PERSONAL KNOWLEDGE OF THESE FACTS BECAUSE I:

- PERSONALLY PERFORMED THE CONSTRUCTION
 SUPERVISED THE CONSTRUCTION AT AND ON BEHALF OF: SEA RAY DIVISION OF BRUNSWICK CORP. (NAME OF COMPANY)
 ACTING IN MY CAPACITY AS A/R Coordinator OF SEA RAY DIVISION OF BRUNSWICK CORP. (NAME OF COMPANY)

NOTE: THIS CERTIFICATE MUST NOT BE COMPLETED BY AN IMPORTER OR AN IMPORTER'S AGENT.

(TITLE) SIGNATURE DATE 1/28/2002

VII. FIRST SALE OR TRANSFER OF VESSEL

100% OF THE VESSEL IDENTIFIED HEREIN IS SOLD (TRANSFERRED) BY THE PARTY(IES) NAMED IN SECTION V TO THE FOLLOWING PERSON(S) (NAMES AND ADDRESSES)

IF SOLD (TRANSFERRED) TO MORE THAN ONE PERSON, THE PURCHASER(S) (TRANSFERREE(S)) ARE TENANTS IN COMMON, EACH OWNING AN EQUAL UNDIVIDED INTEREST, UNLESS OTHERWISE INDICATED HEREIN: CHECK ONLY ONE OF THE FOLLOWING BLOCKS TO SHOW ANOTHER FORM OF OWNERSHIP.

- JOINT TENANCY WITH RIGHT OF SURVIVORSHIP TENANCY BY THE ENTIRETIES COMMUNITY PROPERTY
 OTHER (DESCRIBE)

V SIGNATURE OF SELLER(S) (TRANSFEROR(S)) OR PERSONS SIGNING ON BEHALF OF SELLER(S) (TRANSFEROR(S))

DATE SIGNED:

IX. NAME(S) OF PERSON(S) SIGNING ABOVE, AND LEGAL CAPACITY IN WHICH SIGNED (E.G., OWNER, AGENT, TRUSTEE, EXECUTOR)

X. ACKNOWLEDGEMENT (TO BE COMPLETED BY NOTARY PUBLIC OR OTHER OFFICIAL AUTHORIZED BY A LAW OF A STATE OR THE UNITED STATES TO TAKE OATHS.)

ON (DATE) THE PERSON(S) NAMED IN

STATE:

SECTION IX ABOVE ACKNOWLEDGED EXECUTION OF THE FOREGOING INSTRUMENT IN THEIR STATED CAPACITY(IES) FOR THE PURPOSES THERIN CONTAINED.

COUNTY:

NOTARY PUBLIC MY COMMISSION EXPIRES

PRIVACY ACT STATEMENT

IN ACCORDANCE WITH 5 USC 562(A), THE FOLLOWING INFORMATION IS PROVIDED TO YOU WHEN SUPPLYING PERSONAL INFORMATION TO THE U.S. COAST GUARD.

- 1. AUTHORITY SOLICITATION OF THE INFORMATION IS AUTHORIZED BY 46 USC, CHAPTER 313 AND CFR, PART 67.
2. THE PRINCIPAL PURPOSES FOR WHICH THIS INSTRUMENT IS TO BE USED ARE
(A) TO PROVIDE A RECORD, AVAILABLE FOR PUBLIC INSPECTION AND COPYING, OF THE SALE OR OTHER CHANGE IN OWNERSHIP OF A VESSEL WHICH IS DOCUMENTED, WILL BE DOCUMENTED, OR HAS BEEN DOCUMENTED PURSUANT TO 46 USC, CHAPTER 121.
(B) PLACEMENT OF THIS INSTRUMENT IN A BOOK FOR EXAMINATION BY GOVERNMENTAL AUTHORITIES AND MEMBERS OF THE GENERAL PUBLIC.
3. THE ROUTINE USE WHICH MAY BE MADE OF THIS INFORMATION INCLUDES DEVELOPMENT OF STATISTICAL DATA CONCERNING DOCUMENTED VESSELS.
4. DISCLOSURE OF THE INFORMATION REQUESTED ON THIS FORM IS VOLUNTARY, HOWEVER, FAILURE TO PROVIDE THE INFORMATION COULD PRECLUDE FILING OF A BILL OF SALE AND DOCUMENTATION OF THE VESSEL NAMED HEREIN PURSUANT TO 46 USC, CHAPTER 121. MOREOVER, BILLS OF SALE WHICH ARE NOT FILED ARE NOT DEEMED TO BE VALID AGAINST ANY PERSON EXCEPT THE GRANTOR OR A PERSON HAVING ACTUAL KNOWLEDGE OF THE SALE (46 USC 31321(A)).

INTERNATIONAL MARINE CERTIFICATION INSTITUTE

Rond-Point Schuman 6, Box 6
B-1040 BRUXELLES
BELGIQUE
tel: (32) 2-238-7892
fax: (32) 2-238-7700



CERTIFICATE

We hereby certify that the following boat type

Sea Ray Boats, Inc.

182 BOW RIDER (182 BR)

Boat type:	Power: 10
Boat design category:	C
Model type:	B+C
Examination type:	IMCI
Length of hull [m]:	5.64
Beam of hull [m]:	2.29
Loaded displacement mass [kg]:	1.430
Maximum rated engine power [kW]:	142.07
Number of Persons recommended:	
Recommended load [kg]:	545
Certificate Number:	BSE088

*meets the requirements of the EC Directive 94/25/EC
for Recreational Craft*

U. Heinemann

Ulrich Heinemann (Managing Director)

for EU - Notified Body : 0609

21-Jun-2001

This certificate is valid for boats identified by the HIN as a

2002 model